

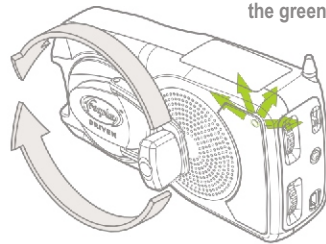
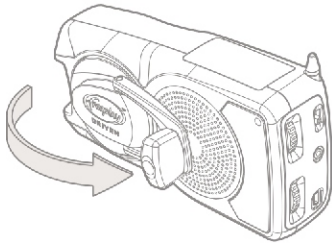
ECO-CHARGE™ radio

www.freeplayenergy.com



To self-charge, fold handle out fully

Wind handle clockwise or anticlockwise, illuminating the green LED

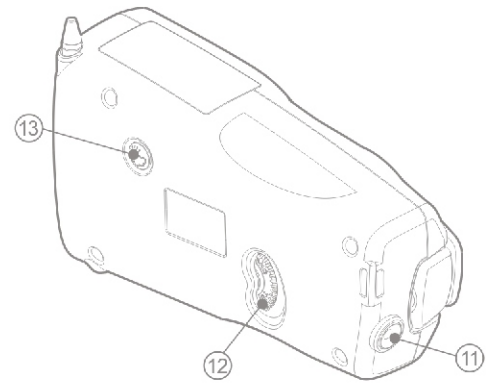
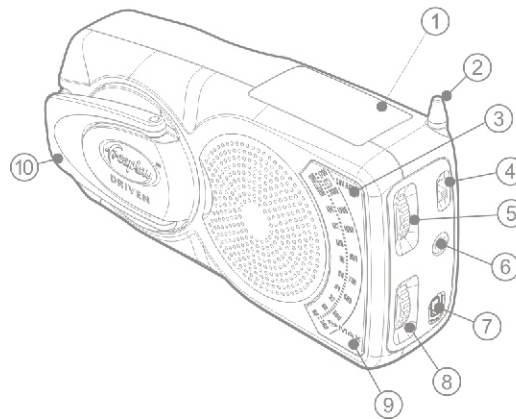


The Freeplay EyeMax Eco-Charge AM/FM and Weatherband Radios, provide reliable access to radio, weather information and light anywhere, anytime.

English

Controls

1. Solar panel
2. Antenna
3. Optimum charge level indicator
4. Band selector
5. Tuning control
6. Headphone socket
7. USB input socket
8. Volume and On/Off control
9. Dial scale frequency indicator
10. Winder handle
11. LED flashlight
12. Weatherband tuning (WB model)
13. Weatherband button (WB model)



Congratulations on purchasing the Freeplay Eco-Charge EyeMax

Please read these operating instructions carefully before using your flashlight and retain them for easy reference. Record the serial number, to be quoted when dealing with Freeplay or a recognised Freeplay distributor regarding this product:

Serial number: _____

FEATURES

- Solar Panel
- Mini USB recharge capability with internal rechargeable Ni-MH battery
- Freeplay direct charge generator
- Ultra bright white LED flashlight
- Receives the 7 NOAA weather channels (Weatherband model only)
- Optimum charge level indicator for ease of use
- High performance speaker
- Headphone socket for personal listening

PRECAUTIONS

To prolong battery life, always switch the radio off after use. A constant drain on a fully discharged battery will shorten the battery life. Do not open the casing other than when disposing of the unit. When cleaning, do not use abrasives or chemicals. Only use a damp cloth and mild detergents.

OPERATION

External Charging

To charge from the wall, switch the radio off. Plug a mini USB charger into the USB socket located on the side of the radio. After approximately 16 hours the radio will be fully charged. The adapter can remain plugged in to provide a continuous trickle charge to the internal battery.

Self-charge Operation

To operate, hold the radio firmly and crank the winder handle. The winder handle can be cranked in any direction. A wind of about 60 seconds will provide approximately 1 hour of playtime (normal volume). The radio can be cranked at anytime to extend play times. The radio is equipped with a LED charge level indicator, situated on the top right corner of dial-scale, which signals when the optimum input effort is reached. Cranking efforts in excess of this merely provide a higher level of charge rate into the battery and consequently increase play time. Cranking the winder handle drives the internal alternator via a transmission generating self-powered energy, which is stored in the internal battery.

Solar Panel

When placed in direct sunlight the radio will run exclusively from solar power. If the solar contribution is sufficient the battery will also be charged while playing. The solar panel can be used solely as a charging facility while the radio is switched off by exposing the solar panel to direct sunlight.

USB Charger

A standard 5V 500mA mini USB charging protocol, means that one charger will now be able to charge most Freeplay products. You may already own a compatible charger (received with a mobile phone, PDA or digital camera). A compatible accessory range increases your charging options from the wall to the car, the sun and your PC. We recommend that our products are externally charged for extended usage needs. Before you purchase a Freeplay USB charging accessory please consider the environment and be sure that you don't already own an appropriate charging device.

Internal battery

For best results, the internal battery requires a conditioning charge for 16 hours prior to first use. The lantern can, however, be used immediately in the "self-charge mode" if required.

Light operation

Depressing and releasing the flashlight lens on the side of the radio turns the Integrated LED flashlight On and Off.

Weatherband tuning (Weatherband model only)
Push the Weatherband button on the back of the radio to activate or deactivate Weatherband

radio to activate or deactivate Weatherband tuning. Channels are selected by rotating the Weatherband tuning wheel.

Disposal of unit

Ni-MH batteries should be recycled or disposed of in an environmentally friendly way as prescribed by your local regulations.

SPECIFICATIONS

Power Source:

Self-charge: AC alternator driven by the crank via a transmission

Solar: Solar High performance clear epoxy-coated polycrystalline panel with a 4.2V 52mA output.

Rechargeable Battery: Rechargeable Ni-MH battery pack.

Speaker: Size: 66 mm - 2.6 inches. Impedance: 8 ohms

LED flashlight: 5mm ultra bright white LED

Adapter Charge rate: 16 hours - 100% capacity

As a guide, a constant input effort of 40 minutes using the crank at optimum charge level indicator would fully charge the battery.

Antenna:

FM/WX Telescopic antenna
AM Built in ferrite bar antenna

Performance:

Playtime Fully recharged battery up to 24 hours (normal volume)
60-second wind - 1hour (normal volume)
30-second wind - 1 hour

Dimensions: Metric (mm) Imperial (inches)

Height	105	4.1
Length	190	7.5
Width	60	2.4
Weight	700g	24.5 oz

FREEPLAY 2 YEAR WARRANTY

The manufacturer undertakes that, if within 2 (two) years of purchase, this appliance or any part thereof is proved to be defective by reason of faulty workmanship or materials, we will, at our option repair or replace the same free of charge for labour or materials on condition that:

1. The original invoice or sales receipt (indicating the date of purchase, product type and dealer's name) is presented together with the defective unit.
2. The complete unit is returned to the manufacturer or country distributor, postage paid.
3. The unit has not been serviced, maintained, repaired, taken apart or tampered with by any person not authorised by the manufacturer.
4. All service work is undertaken by the manufacturer or appointed agents.
5. Any defective unit or part shall become the property of the manufacturer.
6. This warranty is in addition to your statutory rights.

This warranty excludes damage caused by misuse or neglect. To register please complete the online registration form at:

www.freeplayenergy.com
Customer Care: info@freeplayenergy.com

Available Accessories

- Universal USB Car Charger
- Universal USB adapter
- Solar panel

To learn more about Freeplay products visit us at:
www.freeplayenergy.com