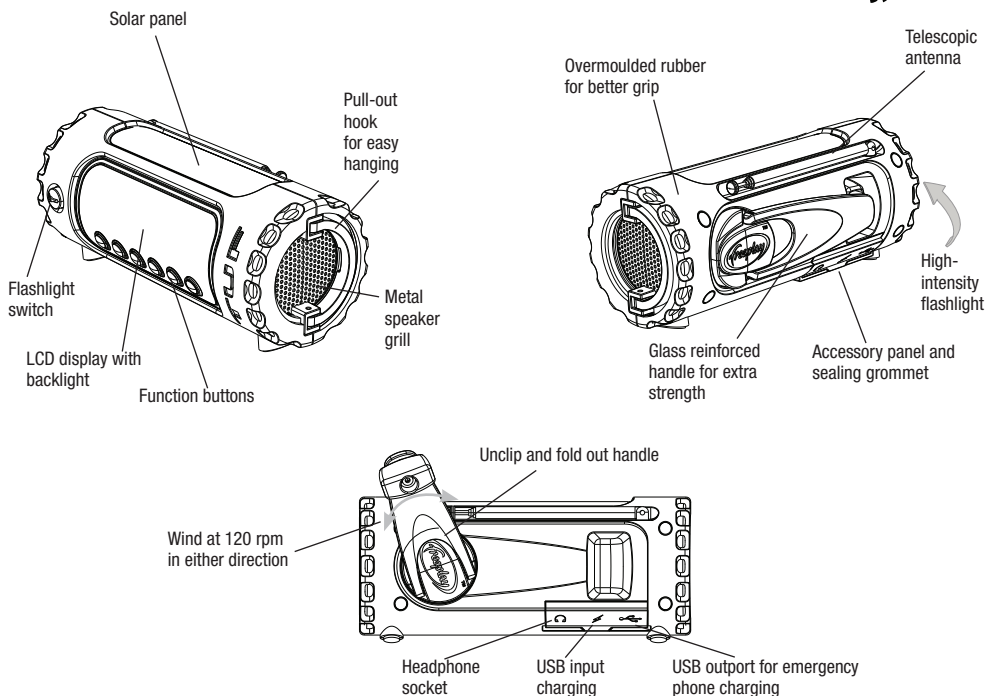


Congratulations on purchasing the
Freeplay TUF radio



Features

- Digitally tuned FM/AM/SW.
- Perfect for off-grid situations.
- Rechargeable by hand crank, solar panel and USB cable.
- Emergency cell phone charging facility.
- Built-in LED flashlight and clock.
- Pull-out hook for easy hanging.

Charging

- TUF radio can be charged in three different ways. Each is independently capable of charging the unit for normal use.
- Turn the winder handle at about 120 RPM in either direction.
- Place the radio in the sun with the solar panel exposed to sunlight, this charges the battery. Once the battery has accumulated a charge the radio may be turned on.
- Insert a standard USB cable into the port on the rear of the radio to charge the radio from an external source.

Playing

- The radio will play for about 25 minutes per minute of winding at medium volume. Increasing the volume will decrease playtimes. Successive winding periods, and longer winding periods accumulate, and increase playtimes proportionally. The radio will play for about 15 hours on a fully charged battery.
- The light will shine for about 30 minutes per minute of winding, and for about 20 hours on a fully charged battery.
- About 2 to 3 minutes of cell phone talk time are achieved per minute of winding.

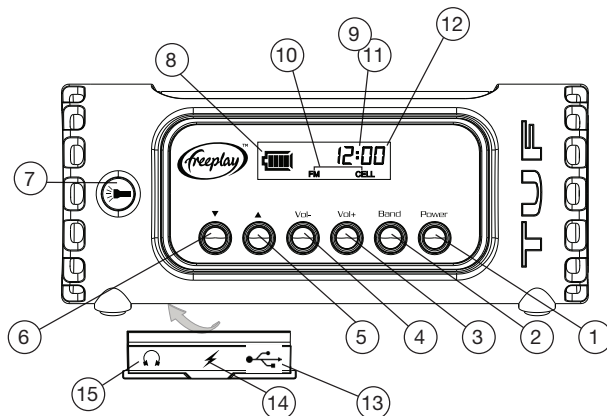
Specifications

- 600mAh Li-ion rechargeable battery.
- 5V 25mA solar panel
- FM 88 - 108 MHz
- AM 520 - 1700 kHz
- SW 3 - 22MHz
- Dimensions, 145mm x 60mm x 30g

Important Note:

Do not store your Tuf radio with the battery in a discharged condition. All rechargeable batteries degrade if left in the fully discharged state, so before storing Tuf for any length of time ensure that it is fully charged. This will prevent battery damage and ensure that you have many years of use from your radio.

For further information please go to
www.freeplayenergy.com



Rechargeable batteries

Rechargeable batteries should be fully recharged before use. This is best achieved by charging TUF overnight via a USB cable or an adaptor. If Tuf is to be stored for a long period of time, the battery should be fully recharged before doing so, to prevent the clock from fully discharging the battery.

If TUF is to be recharged by winding the handle, to achieve full performance the following steps should be taken.

“Exercise” the battery by a series of winding and playing/shining cycles.

Wind at about 130 rpm or more, for 30 to 60 seconds to partially recharge the battery, and then operate the product until it stops.

Repeat this several times. It will be noticed that as the battery is “exercised” the play/shine time increases for each subsequent cycle.

This process is particularly relevant if the product has been stored for a long time, or if the battery is completely discharged.

Play/shine time is very dependent on winding speed (130 rpm is recommended) and volume/intensity level; the faster the winding speed the longer the operation time, as well as the lower the volume/intensity the longer the operation time.”

KEY	FUNCTION
1. POWER	Power ON/OFF button.
2. BAND and MODE FM/ AM/SW/Clock set	Function button. This scrolls between FM---AM---SW---Cell Phone charging. Also used to initiate clock-set when radio is switched off.
3. VOL+	Volume up, volume level is displayed.
4. VOL -	Volume down, volume level is displayed.
5. ▲ SCAN UP	▲ Adjust button. When the radio is off, it adjusts hour and minute; when the radio is on, long press to upward scan AM FM SW.
6. ▼ SCAN DOWN	▼ Adjust button. When the radio is off, it adjusts hour and minute; when the radio is on, long press to downward scan AM FM SW.
7. FLASHLIGHT	Flashlight ON/OFF.
8. BATTERY/CHARGING	Battery level indicator/charging indicator.
9. RADIO FREQUENCY	Tuned frequency is displayed.
10. BAND/CELL	Selected band is displayed/cell charging mode (see 13 below).
11. CLOCK	Hour and minutes are displayed. To set the clock; when radio is OFF, press “Band” button for three seconds to initiate the clock-set function. Use ▲▼ to adjust time. Use short-press “Band” to toggle between hour, minute and 12/24hr setting.
12. BACKLIGHT	The backlight is lit while the function buttons are pressed and for 10 seconds thereafter.
13. USB OUTPUT POWER PORT	To charge a cell phone in an emergency, use the “Band” button to select “CELL” The USB socket at the lower rear of the radio receives a standard USB cable for charging a cell phone or other small electronic device. Normally, winding the crank handle will charge the radio battery. When in Cell mode, winding the handle diverts power away from the radio battery and to the USB port on the access panel. Plugging in a USB cable allows the energy generated by cranking to charge a cellphone or other small electronic device. Cell phone charging ONLY takes place whilst cranking the handle at a constant speed. When in Cell phone charging mode, CELL will be displayed on bottom right hand side of LCD.
14. USB INPUT CHARGING	By inserting a USB mini plug into the socket on the lower rear of the radio, the radio battery may be charged via a USB cable.
15. HEADPHONE SOCKET	Enables private listening, and an audio output to an external amplifier.

Freeplay One-Year Warranty

The manufacturer undertakes that, if within 1 (one) year of purchase, this appliance or any part thereof (antenna excluded), is proved to be defective by reason of faulty workmanship of materials, we will, at our option, repair or replace the same free of charge for labour or materials on condition that:

- The original invoice or sales receipt (indicating the date of purchase, product type and dealer's name is presented with the defective unit.
- The complete unit is returned, postage paid, to the manufacturer or country distributor.
- The unit has not been serviced, maintained, repaired, taken apart or tampered with by any person not authorised by the manufacturer.
- All service work is undertaken but he manufacturer or appointed agents.
- Any defective unit of part shall become the property of the manufacturer.
- This warranty is in addition to your statutory rights.
- The warranty excludes damage caused by misuse or neglect.